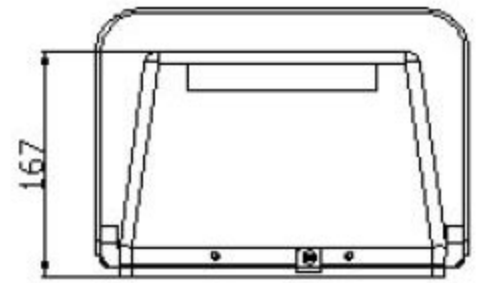
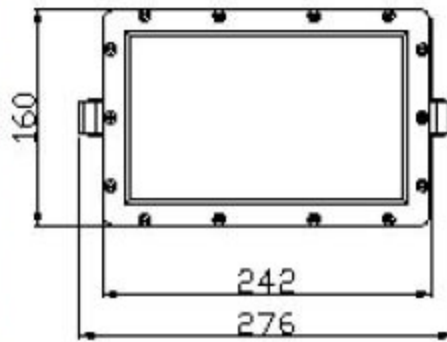


320W LED Project Light [P01321F]



No.	Item	Specification
1	Model No.	P01321F
2	Light source	White light, high power LED chip
3	Luminous emittance type	30° (water drop type)
4	Sys. power consumption	320W ± 10%
5	Voltage range	AC 100V~240V (50Hz / 60Hz)
6	Operating amb. Temp.	-20°C ~ +50°C
7	Operating Humidity	20%~90%RH (non-condensing)
8	Fixture materials	Fixture body : aluminum-ADC12 Powder coating
		Fixture housing : weather resistant industrial plastic
		Cover : PC cover
9	Fixture weight	6 kg
10	Luminous Flux	18000lm
11	Ingress Protection	IP 65
12	Cooling system	Force cooling system(patented product) (High temp. protection mode, LED panel can control ΔT=30°C below)
13	Warranty	2 years

Specification is subject to change without further notice